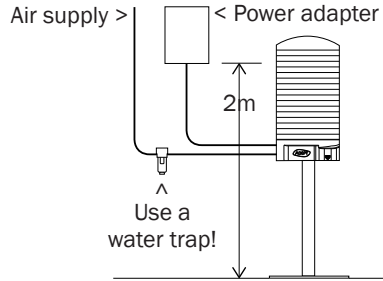
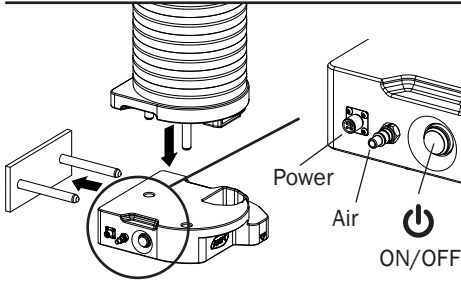


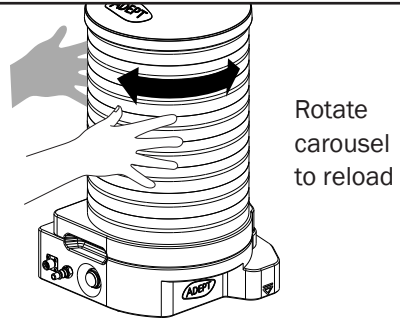
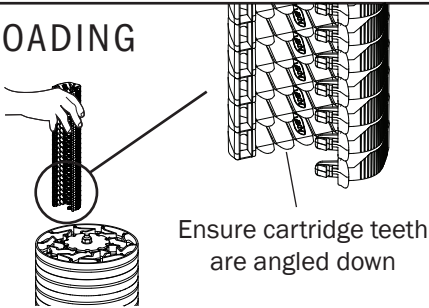
SETUP

Air must be clean and dry. Always use water trap in Air Supply.

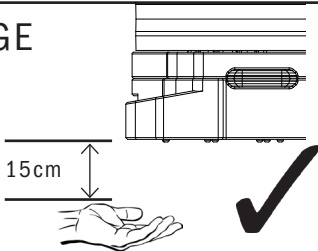
Air supply: 80-120 PSI. Power Supply: 110-240V.



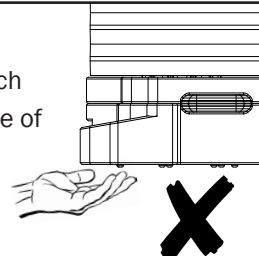
LOADING



USAGE

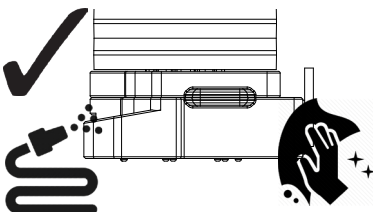


DO NOT touch the underside of dispenser



CLEANING

Before washing ensure cords are secure and power is **OFF**



DO NOT clean sensor window with abrasive cleaner

